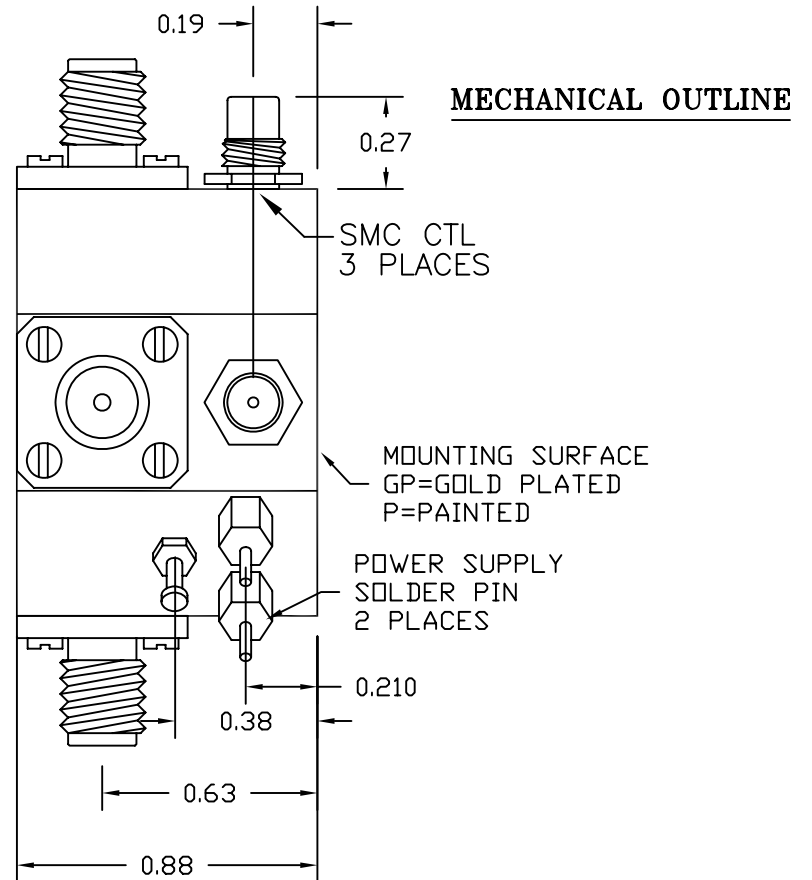
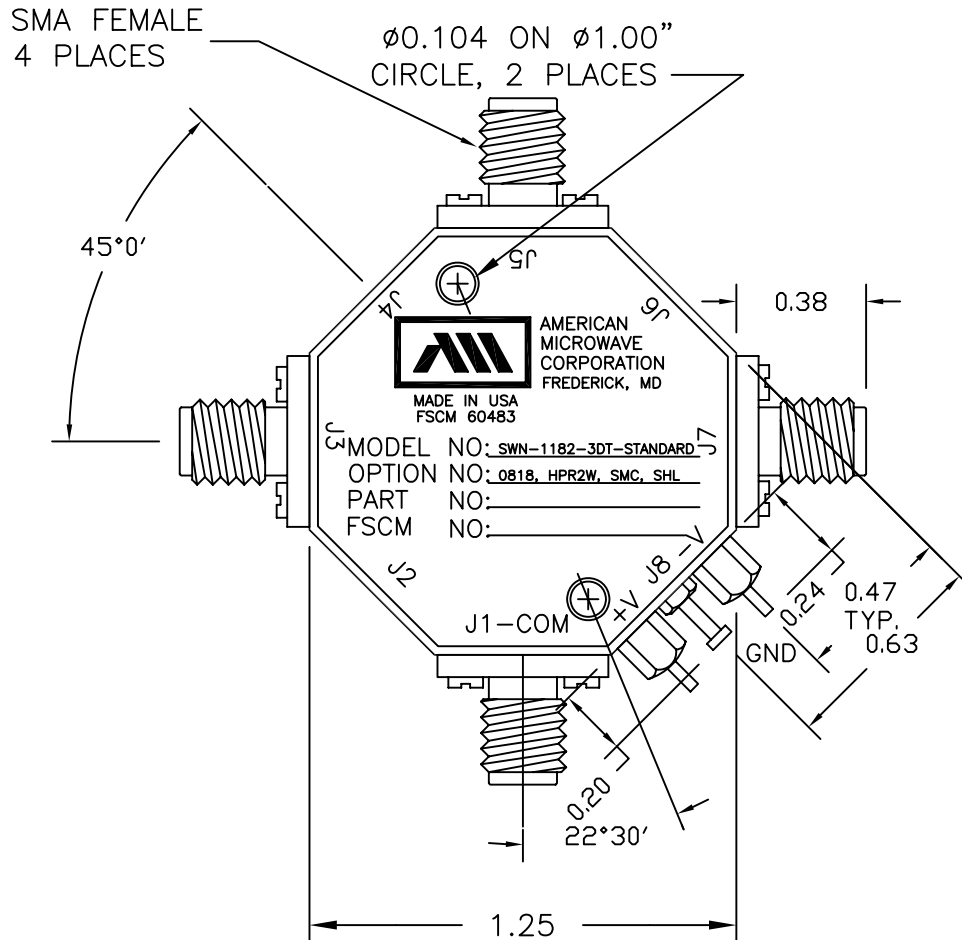


DESCRIPTION:

AMC MODEL SWN-1182-3DT-STANDARD OPTION 0818, HPR2W, SMC & SHL IS A SINGLE POLE THREE THROW SWITCH WITH SMA CONNECTORS AND SMC CONTROL CONNECTORS. IT IS A HIGH POWER 2 WATT DESIGN WITH A SHUNT LOAD. IT HAS A FREQUENCY RANGE OF 0.8 TO 18GHZ, MAXIMUM INSERTION LOSS OF 3.75dB, AND ISOLATION OF 70dB MINIMUM @ 18GHZ.

REVISIONS				
ZONE	REV.	DESCRIPTION	DATE	APPROVED
	-	ORIGINAL RELEASE	10/08/07	RA
	A	ECR# 07-151	11/19/07	



AMERICAN MICROWAVE CORPORATION

7311-G GROVE ROAD
 FREDERICK, MARYLAND 21704 USA
 TEL: 301-662-4700 FAX: 301-662-4938
 WEBSITE: www.americanmicrowavecorp.com
 E-MAIL: sales@americanmicrowavecorp.com
 ISO 9001:2000 CERTIFIED



ALL DIMENSIONS ARE IN INCHES
 TOLERANCES:
 X.XX ±0.020
 X.XXX ±0.010

APPROVALS		DATE	TITLE			REV.
DRAWN <i>KMS</i>		10/08/07	MECHANICAL OUTLINE SWN-1182-3DT-STANDARD OPTION:0818, HPR2W, SMC, SHL ABSORPTIVE RADIAL SOLID STATE SWITCH			
CHECKED <i>RA</i>		10/10/07	SIZE	FSCM NO.	DWG NO.	REV.
ISSUED			A	60483	100-4181-003	A
			SCALE	SHEET		
			N:S	2 OF 4		

DESCRIPTION:

AMC MODEL SWN-1182-3DT-STANDARD OPTION 0818, HPR2W, SMC & SHL IS A SINGLE POLE THREE THROW SWITCH WITH SMA CONNECTORS AND SMC CONTROL CONNECTORS. IT IS A HIGH POWER 2 WATT DESIGN WITH A SHUNT LOAD. IT HAS A FREQUENCY RANGE OF 0.8 TO 18GHZ, MAXIMUM INSERTION LOSS OF 3.75dB, AND ISOLATION OF 70dB MINIMUM @ 18GHZ.

REVISIONS				
ZONE	REV.	DESCRIPTION	DATE	APPROVED
	-	ORIGINAL RELEASE	10/08/07	Rd
	A	ECR# 07-151	11/19/07	

SPECIFICATIONS:

- FREQUENCY: 0.8 GHz TO 18 GHz
- INSERTION LOSS: 3.75dB MAX.
- ISOLATION: 0.8 GHz TO 2 GHz: 60dB MIN.
2 GHz TO 18 GHz: 70dB MIN.
- VSWR: ABSORPTIVE IN/OUT: 2.0:1
ABSORPTIVE OUT/OFF: 2.0:1
- SPEED: RISE: 10ns TYPICAL, 15ns MAX.
FALL: 10ns TYPICAL, 15ns MAX.
DELAY ON: 75ns TYPICAL, 100ns MAX.
DELAY OFF: 75ns TYPICAL, 100ns MAX.
- POWER INPUT: 2 WATTS
- CONTROL: TTL LOGIC "0"=ON "1"=OFF
- POWER SUPPLY: +5V @ 150 mA MAX.
-12V @ 100mA MAX

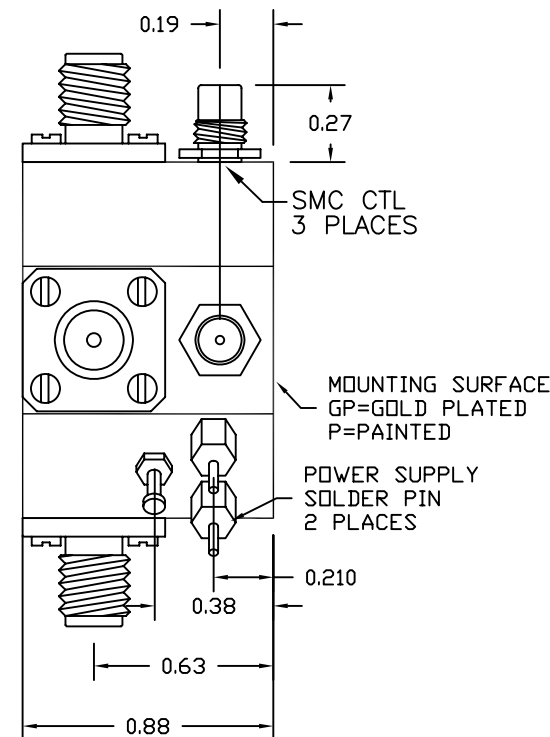
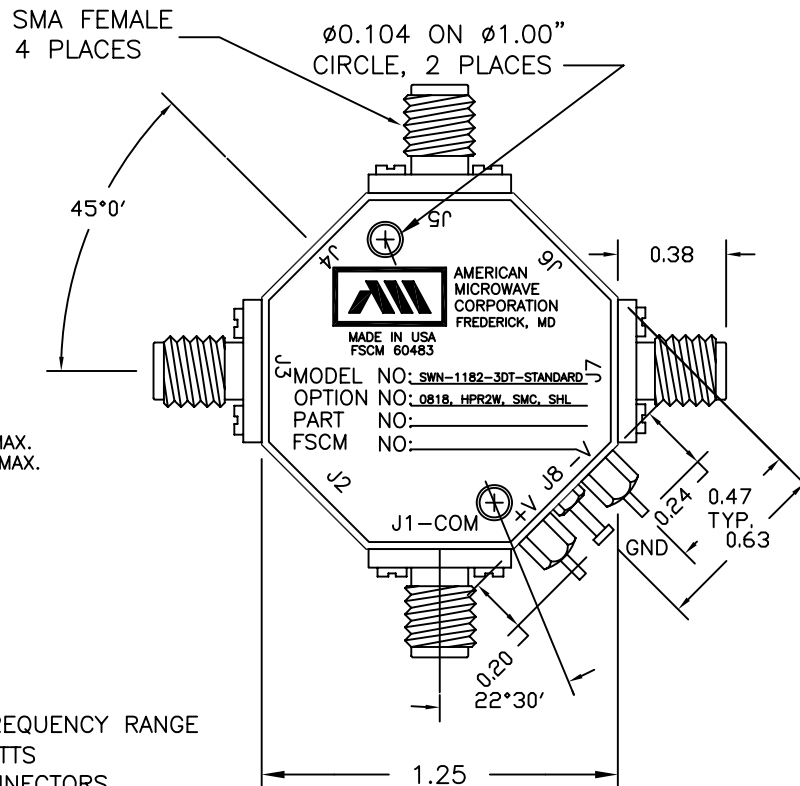
OPTIONS:

- 818: 0.8 TO 18 GHz FREQUENCY RANGE
- HPR2W: HIGH POWER 2 WATTS
- SMC: SMC CONTROL CONNECTORS
- SHL: SHUNT LOAD

ENVIRONMENTAL RATINGS:

- TEMPERATURE: -55°C TO +85°C (OPERATING)
-65°C TO +125°C (STORAGE)
- HUMIDITY: MIL-STD-202F, METHOD 103B COND. B
- SHOCK: MIL-STD-202F, METHOD 213B COND. B
- VIBRATION: MIL-STD-202F, METHOD 204D COND. B
- ALTITUDE: MIL-STD-202F, METHOD 105C COND. B
- TEMPERATURE CYCLE: MIL-STD-202F, METHOD 107D COND. A

NOTE: SPECIFICATIONS WILL VARY OVER OPERATING TEMPERATURE
NOTE: THE ABOVE SPECIFICATIONS ARE SUBJECT TO CHANGE OR REVISION



ALL DIMENSIONS ARE IN INCHES
TOLERANCES:
X.XX ±0.020
X.XXX ±0.010

AMERICAN MICROWAVE CORPORATION

7311-G GROVE ROAD
FREDERICK, MARYLAND 21704 USA
TEL: 301-662-4700 FAX: 301-662-4938
WEBSITE: www.americanmicrowavecorp.com
E-MAIL: sales@americanmicrowavecorp.com
ISO 9001:2000 CERTIFIED

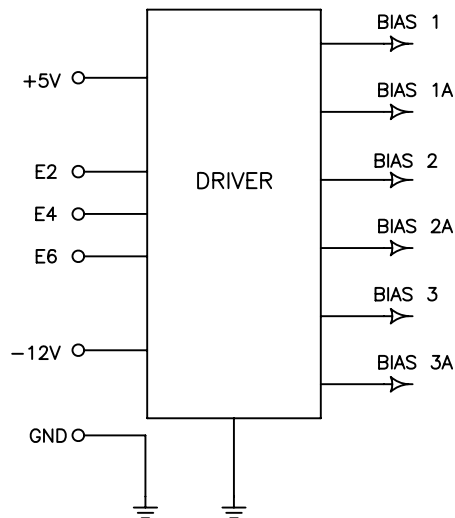
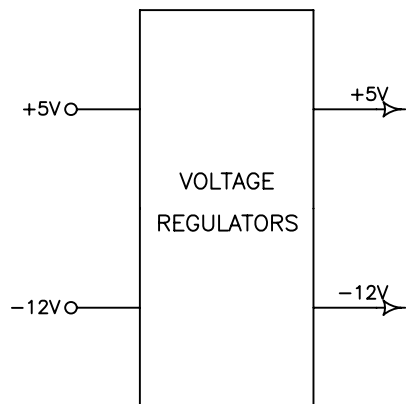


APPROVALS		DATE	TITLE			
DRAWN <i>KMS</i>		10/08/07	PRODUCT FEATURE SWN-1182-3DT-STANDARD OPTION:0818, HPR2W, SMC, SHL ABSORPTIVE RADIAL SOLID STATE SWITCH			
CHECKED <i>Rd</i>		10/10/07	SIZE	FSCM NO.	DWG NO.	REV.
ISSUED			A	60483	100-4181-003	A
			SCALE N:S			SHEET 1 OF 4

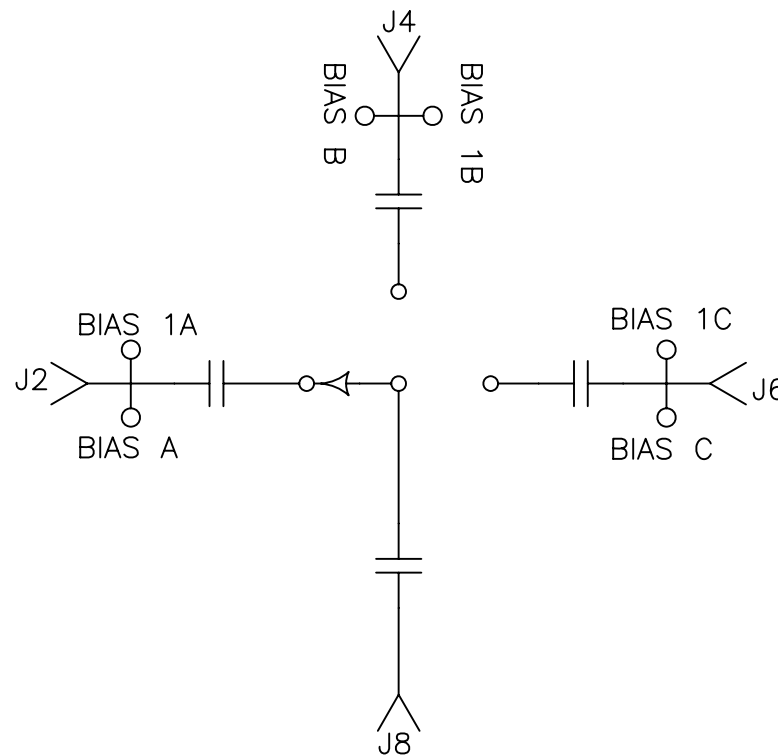
DESCRIPTION:

AMC MODEL SWN-1182-3DT-STANDARD OPTION 0818, HPR2W, SMC & SHL IS A SINGLE POLE THREE THROW SWITCH WITH SMA CONNECTORS AND SMC CONTROL CONNECTORS. IT IS A HIGH POWER 2 WATT DESIGN WITH A SHUNT LOAD. IT HAS A FREQUENCY RANGE OF 0.8 TO 18GHZ, MAXIMUM INSERTION LOSS OF 3.75dB, AND ISOLATION OF 70dB MINIMUM @ 18GHZ.

REVISIONS				
ZONE	REV.	DESCRIPTION	DATE	APPROVED
	-	ORIGINAL RELEASE	10/08/07	<i>Rd</i>
	A	ECR# 07-151	11/19/07	



FUNCTIONAL BLOCK DIAGRAM



CONFIDENTIAL AND PROPRIETARY

AMERICAN MICROWAVE CORPORATION

7311-G GROVE ROAD
 FREDERICK, MARYLAND 21704 USA
 TEL: 301-662-4700 FAX: 301-662-4938
 WEBSITE: www.americanmicrowavecorp.com
 E-MAIL: sales@americanmicrowavecorp.com
 ISO 9001:2000 CERTIFIED



APPROVALS		DATE	TITLE		
DRAWN <i>KMS</i>		10/08/07	FUNCTIONAL BLOCK DIAGRAM		
CHECKED <i>Rd</i>		10/10/07	SWN-1182-3DT-STANDARD		
ISSUED			OPTION:0818, HPR2W, SMC, SHL		
SIZE	FSCM NO.	DWG NO.	REV.		
A	60483	100-4181-003	A		
SCALE N:S			SHEET 3 OF 4		